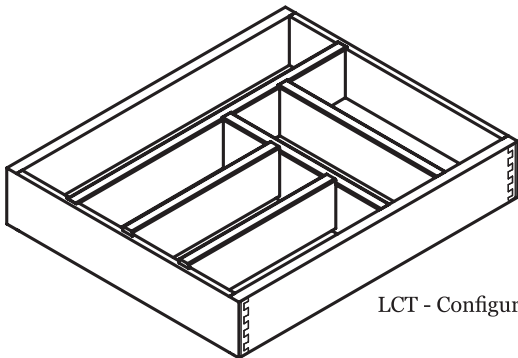


Divided Drawer

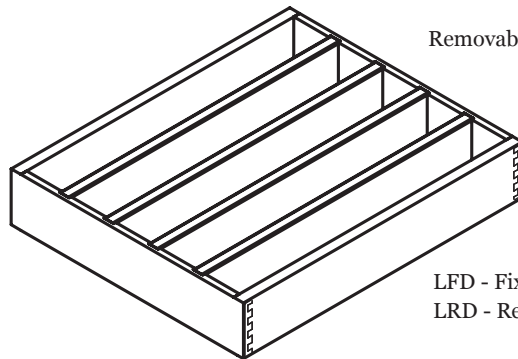
Technical Specifications



- **Cutlery Inserts & Divider Options**
 - 5/8" thick dividers standard
 - 3/8" thick dividers also available

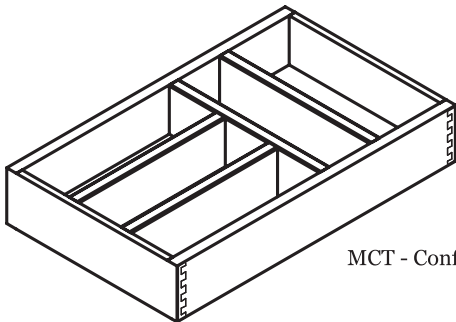


LCT - Configuration

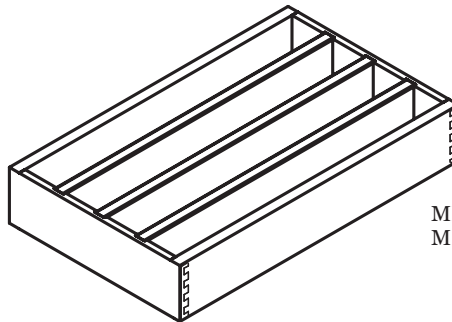


Removable Dividers

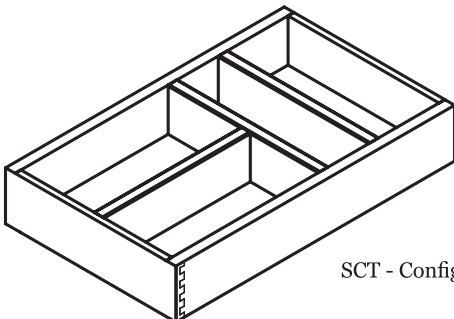
LFD - Fixed
LRD - Removable



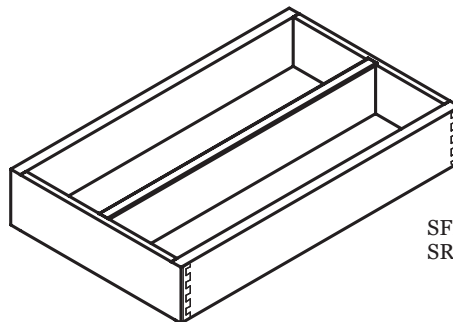
MCT - Configuration



MFD - Fixed
MRD - Removable



SCT - Configuration



SFD - Fixed
SRD - Removable

For More Information:

Call 800-345-4930

info@timbercraftdrawers.com

TIMBERCRAFT
Custom Dovetailed Drawers