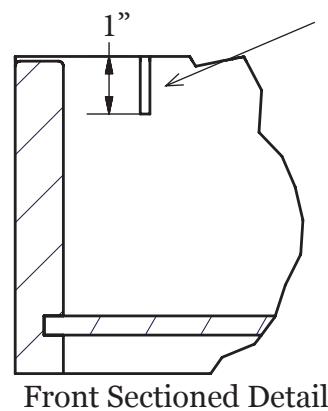
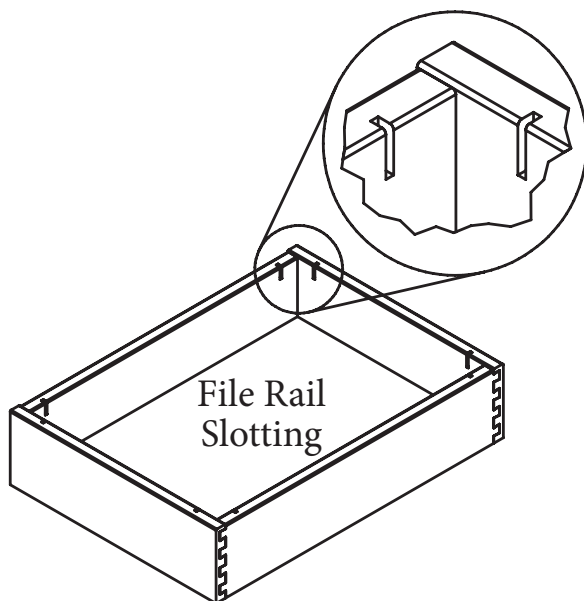


# File Drawer

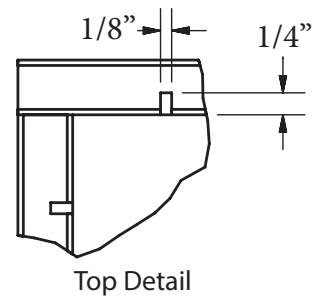
## Technical Specifications



- Hanging Folder Sizes (Center to Center)  
Letter: 12-1/4" or Legal: 15-1/4"
- File Rails will be centered in drawer unless otherwise specified.
- Minimum outside width for letter: 14-1/2"  
Minimum outside width for legal: 17-1/2"  
Minimum height: 10-3/8"
- Rails are inset to be flush with drawer height.



Front Sectioned Detail



Top Detail

1/8" x 1" aluminum rails are standard

*For More Information:*

Call 800-345-4930

info@timbercraftdrawers.com

**TIMBERCRAFT**  
Custom Dovetailed Drawers